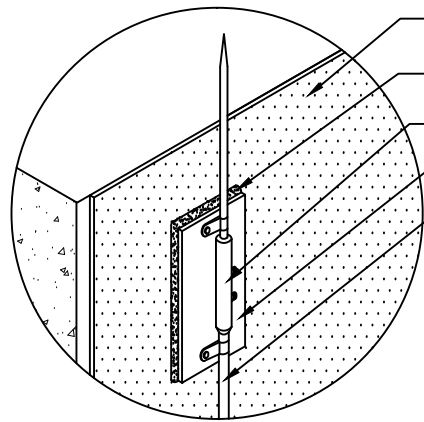


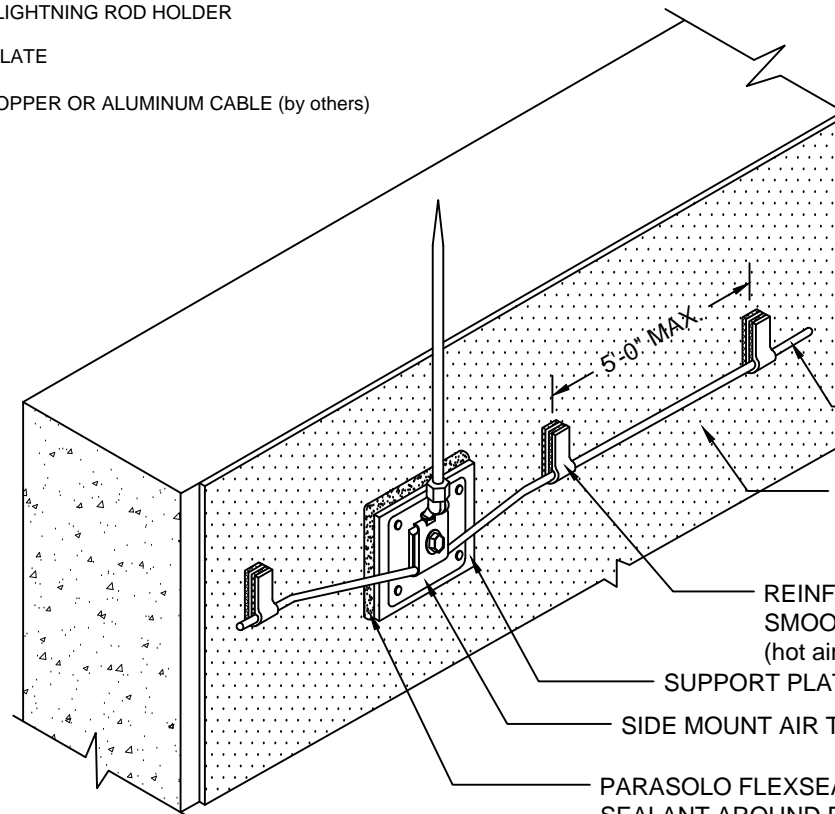
LIGHTNING PROTECTION TERMINAL - WALL MOUNT DETAIL

PARASOLO HYBRID SYSTEM - RIGID INSULATION



- PARASOLO PVC FLEECE-BACK
(up to 24 inches dry hung, 24 - 54 inches requires approved low rise foam adhesive)
- PARASOLO FLEXSEAL CAULK GRADE SEALANT AROUND PLATE
- SIDE MOUNT LIGHTNING ROD HOLDER
- SUPPORT PLATE
- TWISTED COPPER OR ALUMINUM CABLE (by others)

ALTERNATE ROD WALL MOUNT



- TWISTED COPPER OR ALUMINUM CABLE (by others)
- PARASOLO PVC FLEECE-BACK
(up to 24 inches dry hung, 24 - 54 inches requires approved low rise foam adhesive)
- REINFORCED PARASOLO PVC SMOOTH SURFACED STRAP
(hot air weld to flashing below)
- SUPPORT PLATE
- SIDE MOUNT AIR TERMINAL BASE
- PARASOLO FLEXSEAL CAULK GRADE SEALANT AROUND PLATE

NOTES:

1. DAMAGE TO PARASOLO MEMBRANE IS EXCLUDED FROM GURANTEE COVERAGE.
2. THE PARASOLO PATCHES SHOULD BE INSTALLED BY A SIPLAST SELECT CONTRACTOR.
3. THE INSTALLATION OF THE LIGHTNING PROTECTION SYSTEM SHOULD FOLLOW THE SPECIFICATIONS OF THE LIGHTNING PROTECTION SYSTEM MANUFACTURER.
4. REQUIREMENTS AND RECOMMENDATIONS DETAILED IN CURRENT SIPLAST SPECIFICATIONS SHALL APPLY IN ADDITION TO THE ABOVE DRAWING.

CAUTION: SIPLAST RECOMMENDS THAT ALL PRACTICES PERTAINING TO NRCA CERTA GUIDELINES BE FOLLOWED WHEN TORCHING METHODS ARE EMPLOYED. THIS INCLUDES PERFORMING A FIRE WATCH FOLLOWING ANY TORCH APPLICATIONS. ALWAYS HAVE APPROVED FIRE-EXTINGUISHING EQUIPMENT NEARBY.

N.T.S

